



touchSlide™  
30" Radiant Electric Cooktop

## Features & Benefits

- Smooth Surface (ceramic glass w/stainless trim on bottom)
- touchSlide™ Electronic Controls
- quickStart™ Radiant Elements
- Bridge Element
- Dual Element
- Keep Warm (all elements)
- Hot Surface Indicator Displays (4)
- Kitchen Timer
- Approved for Use With Select Siemens Undercounter Wall Ovens
- rapidBoil™

## Installation

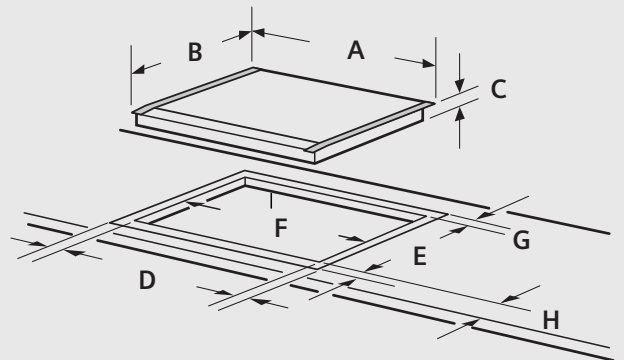
30" Electric Cooktop	Overall Dimensions
A	30-3/4"
B	21"
C	3-5/8"
D	28-3/4" – 28-3/8"
<b>Cutout Dimensions</b>	
E	19-7/8" – 20"
F	3-5/8"
G	2-1/2"
H	2-1/2"

## ET7752UC

Dimensions	30"
Color Option	Stainless Steel
touchSlide™ Electronic Controls	•
Durable Ceramic-Glass Surface	•
Hot Surface Indicator Lights	•
Bridge Element	•
2-level Residual Heat Indicator	•
preciseSimmer™	•
17 Heat settings	•
Keep Warm Function	•
Kitchen Timer/Auto Shutoff Timer	•
Stainless Steel Frame	•
Flush Euro Design	•
Dual Rated 208/240 Volts, 3-Wire, 60 Hz, 30A	•

## Heating Elements


Right Front Single	6" – 1,200W
Left Front Bridge	7" – 1,800/400W
Left Rear Bridge	7" – 1,800/400W
Right Rear Dual	6"9" – 1,100/2,500W



# Siemens 30" touchSlide™ Radiant Cooktop

The future moving in.

**SIEMENS**

 BSH reserves the absolute and unrestricted right to change product materials and specifications, at any time, without notice. Consult the product's installation instructions for final dimensional data and other details. Applicable product warranty can be found in accompanying product literature or you may contact your account manager for further details. Notes: All height, width and depth dimensions are shown in inches. Please refer to installation instructions prior to making cutout.

1-888-4-SIEMENS • In the US: [siemens-home.com](http://siemens-home.com) • In Canada: [siemens-home.ca](http://siemens-home.ca)

Copyright ©2007 BSH Home Appliances Corporation. All rights reserved. All rights reserved. Specifications subject to change without notice.

61-017-0207  
Litho Date: 02/07