



touchSlide™
36" Radiant Electric Cooktop

Features & Benefits

- touchSlide™ Electronic Controls
- quickStart™ Radiant Elements
- Bridge Element
- Dual Element
- 12" Triple Element
- Keep Warm (all elements)
- Hot Surface Indicator Displays (5)
- Kitchen Timer
- Approved for Use With Select Siemens Undercounter Wall Ovens
- rapidBoil™

Installation

36" Electric Cooktop	Overall Dimensions
A	36"
B	21"
C	3-5/8"

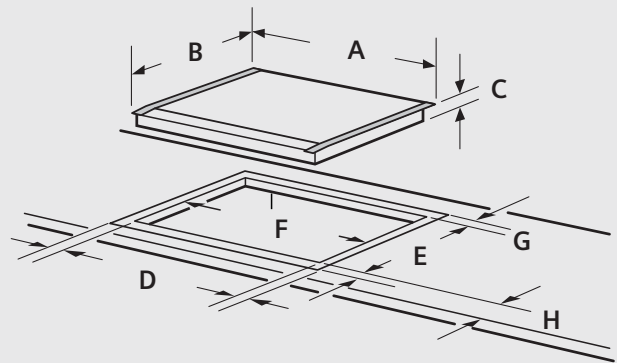
Cutout Dimensions	
D	34-3/4" – 34-7/8"
E	19-7/8" – 20"
F	3-5/8"
G	2-1/2"
H	2-1/2"

ET9752UC

Dimensions	36"
Color Option	Stainless Steel
touchSlide™ Electronic Controls	•
Durable Ceramic-Glass Surface	•
Hot Surface Indicator Lights	•
Bridge Element	•
2-level Residual Heat Indicator	•
preciseSimmer™	•
17 Heat settings	•
Keep Warm Function	•
Kitchen Timer/Auto Shutoff Timer	•
Stainless Steel Frame	•
Flush Euro Design	•
Dual Rated 208/240 Volts, 3-Wire, 60 Hz, 40A	•

Heating Elements


Left Front Bridge	7" – 1,800W
Left Rear Bridge	7" – 1,800/400W
Center Triple	6" / 8" / 12" 1,050/1,950/2,700W
Right Rear Single	6" – 1,200W
Right Front Dual	5" / 7" – 700/1,700W



Siemens 36" touchSlide™ Radiant Cooktop

The future moving in.

SIEMENS

 BSH reserves the absolute and unrestricted right to change product materials and specifications, at any time, without notice. Consult the product's installation instructions for final dimensional data and other details. Applicable product warranty can be found in accompanying product literature or you may contact your account manager for further details.
Notes: All height, width and depth dimensions are shown in inches. Please refer to installation instructions prior to making cutout.

1-888-4-SIEMENS • In the US: siemens-home.com • In Canada: siemens-home.ca

Copyright ©2007 BSH Home Appliances Corporation. All rights reserved. All rights reserved. Specifications subject to change without notice.

61-007-0107
Litho Date: 02/07