



18" Freezer Tower

Features & Benefits

- The Siemens units offer fully integrated, built-in refrigeration for a seamless look
- The Siemens refrigerators are among the quietest in the refrigeration industry (39 – 40 decibels)
- The heavy duty hinge holds up to 220 pounds. It allows flush mounting with cabinetry
- Hologen light system allows for even light distribution throughout the entire unit

SKU S18ID80SRS / S18ID80NRP / S18ID80SLS / S18ID80NLP

Type	Freezer Tower
Niche Dimensions Stainless Steel	
Width x Height x Depth	18" x 84" x 24 3/4"
Niche Dimensions Fully Integrated	
Width x Height x Depth	18" x 84" x 24 + Panel Thickness
Color	S18ID80SRS – Stainless Steel, left handle S18ID80NRP – Custom Panel, left handle S18ID80SLS – Stainless Steel, right handle S18ID80NLP – Custom Panel, right handle

Capacity	
Total (cu.ft.)	12.2
Shelves	2 Adjustable shelves
Drawers	2 Full Extension (1 Deli, 2Crisper)
Door Bins	2

General Features	
Lighting	2 Halogen Top Lights, 2 Side Wall Halogen Light Towers

Water / Crushed Ice / Cubed Ice Dispenser	•
Carbon Air Filter	•
Anti-Clump Ice System	•
quickFreeze™	•
Economic Mode	•
Vacation Mode	•
Sabbath Mode	•
Electronic Controls	•

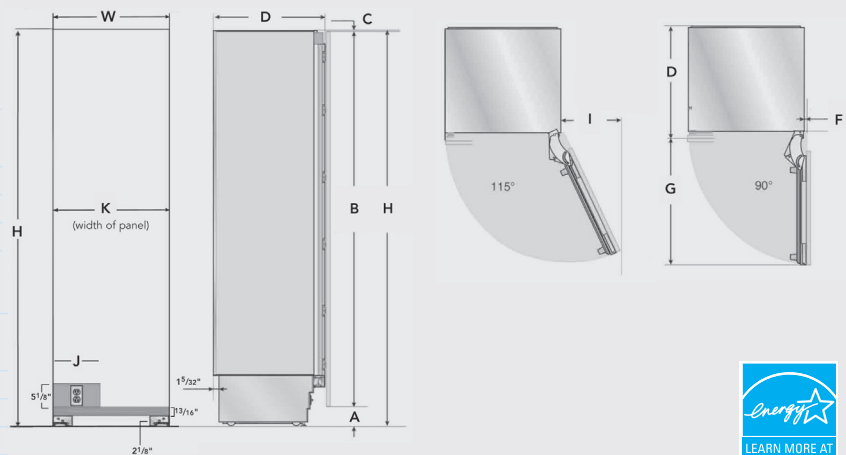
Special Features	
Column Concept	•
Fully Integrated access Hinge™ System	•
Compressor	1
Evaporator	1
ENERGY STAR®	•

S18ID80SRS / S18ID80SLS

Overall Dimensions	Stainless Steel Panel Dimensions
W 18"	K 18"
H 84"	A 4"
D 24 3/4"	B 79 7/8"
	C 1/8"

S18ID80NRP / S18ID80NLP

Overall Dimensions	Custom Panel Dimensions*
W 18"	K 17 3/4"
H 84"	A* 4"
D 24" (plus panel size)	B 79 7/8"
	C* 1/8"



Siemens 18" Freezer Tower

The future moving in.

SIEMENS

UL BSH reserves the absolute and unrestricted right to change product materials and specifications, at any time, without notice. Consult the product's installation instructions for final dimensional data and other details. Applicable product warranty can be found in accompanying product literature or you may contact your account manager for further details.

Notes: All height, width and depth dimensions are shown in inches. Please refer to installation instructions prior to installation. *The custom panel dimensions are for a standard 1/8" reveal and 4" toe kick installation.

1-888-4-SIEMENS • In the US: siemens-home.com • In Canada: siemens-home.ca

Copyright ©2007 BSH Home Appliances Corporation. All rights reserved. All rights reserved. Specifications subject to change without notice.

61-012-0107
Litho Date: 05/07