



ultraStack™ Vented Dryer

**SKU WT36V100US**

Drum Capacity	3.9 cu.ft.
Supply Voltage	220-240V
Door Opening (Angle)	165°
Minimum Stacking Height	68 3/8"

**Materials and Finishes**

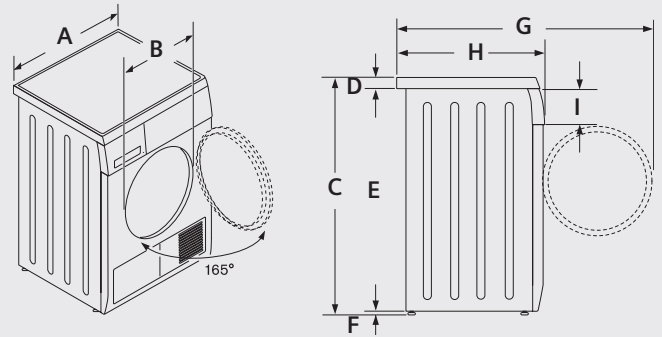
Cabinet	White
Drum	Stainless Steel, Structured Drum
Top	Mekalite

**Advanced Features**

Control Types	Electronic/Touch Control
Gentle Heat System	Temperature Sensor
Dry Sensor Control	Fully Electronic Moisture Sensor

**Features & Benefits**

- Structured Stainless Steel Drum
- 9 Auto Dry Cycles
- Air Fluff Drying Program
- New improved lint filter
- Delecatex Option
- 1 Hour antiWrinkle
- See-through Silver Door
- Two-venting options
- 240 V
- Stacking Kit with and without pullout tray



**Dimensions**

A	23 35/64"
B	17 41/64"
C	33 3/16"
D	1 3/16"
E	31 3/8"
F	19/32"
G	41 39/64"
H	24 37/64"
I	4 1/8"

Siemens ultraStack™ Vented Dryer

The future moving in.



Ⓛ BSH reserves the absolute and unrestricted right to change product materials and specifications, at any time, without notice. Consult the product's installation instructions for final dimensional data and other details. Applicable product warranty can be found in accompanying product literature or you may contact your account manager for further details. Notes: All height, width and depth dimensions are shown in inches. Please refer to installation instructions prior to making cutout.

1-888-4-SIEMENS • In the US: [siemens-home.com](http://siemens-home.com) • In Canada: [siemens-home.ca](http://siemens-home.ca)

Copyright ©2007 BSH Home Appliances Corporation. All rights reserved. Specifications subject to change without notice.

6107-0045B  
Litho Date: 12/07