



ultraSense® Electric Dryer

### Features & Benefits

- High Air Velocity
- Fully Automated Drying
- Extra Large Capacity, Extra Large 16" Opening
- German Engineering



Optional 8" Pedestal  
WZ20395

### SKU WTXD5322US (US Model)

#### Drying Performance

Total Cycles	11
High Air Velocity Drying	•
3-Dimensional Drying Motion	•
Digital Humidity Sensor	•

#### Dry Cycles

Timed Dry	20, 40, 60 Minutes
Air Fluff (No Heat)	•
Regular/Cotton	Damp Dry, Regular Dry, Very Dry, Extra Dry
Permanent Press	Damp Dry, Regular Dry, Very Dry

#### Convenience

Capacity (IEC)	6.7 cu. ft.
Door Angle	180°
Door Opening	18"
Door Lock with Auto Circuit Break	•
Reversible Door Hinged on Right	•
Rust-Proof Stainless Steel Drum	•
Drying Process Indicator	•
End-of-Cycle Signal	•
Anti-Wrinkle Function	1 hr.
Optional 8" Pedestal with Storage Drawer	•

#### Efficiency

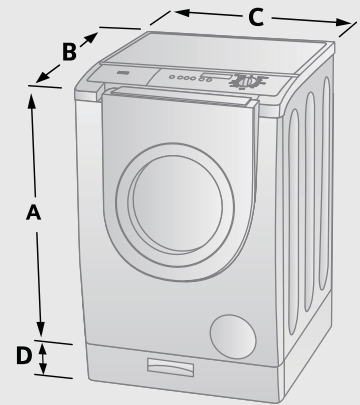
Insulation System	•
Lint Filter Indicator	•
Silence Rating (IEC)	67 dBA

#### Design

Display	LED
Dial	Chrome
Door Inlay	Chrome
Bull's-Eye Ring	Chrome
Button Color	Chrome
Finish Color	White

#### Technical

Supply Voltage	208/240 V
Frequency	60Hz
Amperage	30A
UL Approved	•



#### Dimensions

A	36 15/16"
B	31 9/16"
C	27"
D	8"



# ultraSense® Electric Dryers

The future moving in.

**SIEMENS**

Ⓢ BSH reserves the absolute and unrestricted right to change product materials and specifications, at any time, without notice. Consult the product's installation instructions for final dimensional data and other details. Applicable product warranty can be found in accompanying product literature or you may contact your account manager for further details. Notes: All height, width and depth dimensions are shown in inches. Please refer to installation instructions prior to making cutout.

1-888-4-SIEMENS • In the US: [siemens-home.com](http://siemens-home.com) • In Canada: [siemens-home.ca](http://siemens-home.ca)

Copyright ©2007 BSH Home Appliances Corporation. All rights reserved. All rights reserved. Specifications subject to change without notice.

61-027-0207A  
Litho Date: 02/07